

201L LIQUID FILLED BOTTOM MOUNT

Our '200' series gauge line is a high quality line of liquid filled pressure gauges. The glycerine filling helps dampen the effects of pulsation and vibration, while also perpetually lubricating the movement and keeping contaminants such as dirt away from all moving parts, which will extend the life of the gauge.

This gauge has been specifically designed with original equipment manufacturers in mind and is typically used on hydraulic and pneumatic systems as well as any commercial or industrial application not corrosive to brass and bronze wetted parts where glycerine filling is suitable for use.

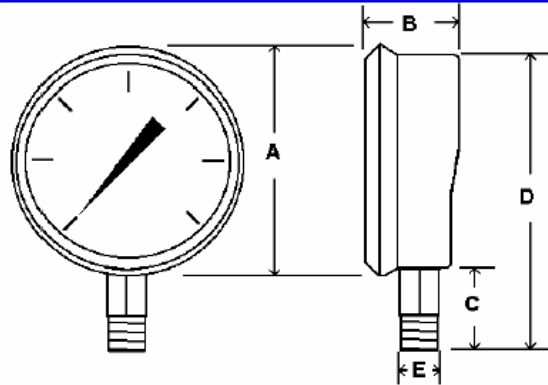
SPECIFICATIONS:

- **Dial Sizes:** 1 1/2", 2", 2 1/2", 4", 6"
- **Connection Sizes:** (with built-in snubber)
 - 1/8"MNPT on 1 1/2" and 2"
 - 1/4"MNPT on 2", 2 1/2" and 4"
 - 1/2"MNPT on 4" and 6"
- **Stainless Steel Case And Bezel**
- **Brass Internals and Connection** (with built in snubber)
- **Phosphor Bronze Bourdon Tube**
- **Plastic Lens**
- **Liquid Filled (Dry Available)**
- **Accuracy :** 1 1/2" or 2"Dial Size = 3-2-3 %
 - 2 1/2"Dial Size = 1.5 %
 - 4" or 6"Dial Size = 1 %
- **Dual Scale: PSI & Bar (x100=kPa)**
 - Single Scale available from stock
- **Ambient temperature:** FILLED: 30°F to 160°F
DRY: -30°F to 180°F



RANGE	CODE	Major in	Minor in
30/0"VAC	A	5	0.5
30/0/15	CB	5	0.5
30/0/30	CC	10	1
30/0/60	CD	10	1
30/0/100	CE	20	2
30/0/150	CF	20	2
30/0/300	CH	50	10
0/15	B	2	0.2
0/30	C	5	0.5
0/60	D	10	1
0/100	E	20	2
0/160	F	20	2
0/200	G	40	4
0/300	H	50	5
0/400	I	50	5
0/500	J	100	10
0/600	K	100	10
0/800	L	100	10
0/1000	M	200	20
0/1500	N	200	20
0/2000	O	400	50
0/3000	P	500	50
0/4000	Q	500	50
0/5000	R	1000	100
0/6000	S	2000	200
0/10,000	U	2000	200
0/15,000	V	2000	200

Some ranges not available in all dial sizes, please call with your particular application



		A	B	C	D	E
1 1/2"	In	1.88	1.06	.89	2.77	1/8"
	MM	48	27	23	58	
2"	In	2.24	1.27	.71	2.80	1/8" or 1/4" NPT
	MM	57	32	23	71	
2 1/2"	In	2.80	1.28	1.07	3.55	1/4"
	MM	71	33	27	90	
4"	In	4.32	1.63	1.25	5.57	1/4" or 1/2" NPT
	MM	110	42	32	141	
6"	In	6.54	1.70	1.68	8.22	1/4" or 1/2" NPT
	MM	166	43	43	210	